

Dual Wideband, V-polarized Sector Antenna

Model: DS0827G15V90

800-960MHz; 1710~2700MHz 90° 14dBi/15dBi/15.5dBi

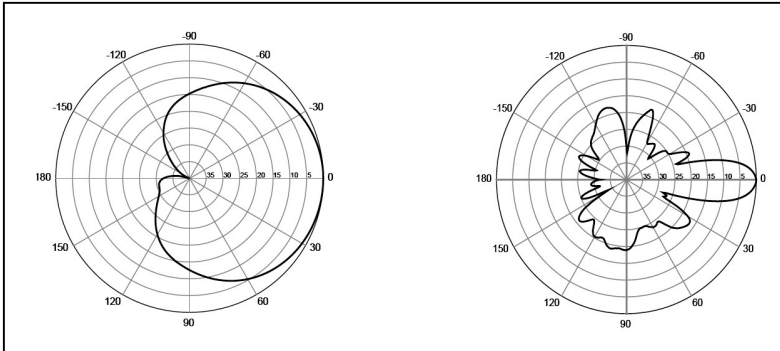
Mechanical Downtilt 0-15°

Electrical specifications			
Frequency Range(MHz)	800-960	1710-2400	2400-2700
Polarization	Vertical		
Gain (dBi)	14	15	15.5
Half-power beam width (°)	Hor:90	Hor:88	Hor:85
	Ver:8	Ver:7	Ver:6
Front-to-back ratio (dB)	≥25		
Isolation (dB)	≥30		
Impedance (Ω)	50		
VSWR	≤1.5		
Maximum input power (W)	500		
Lightning protection	DC Ground		

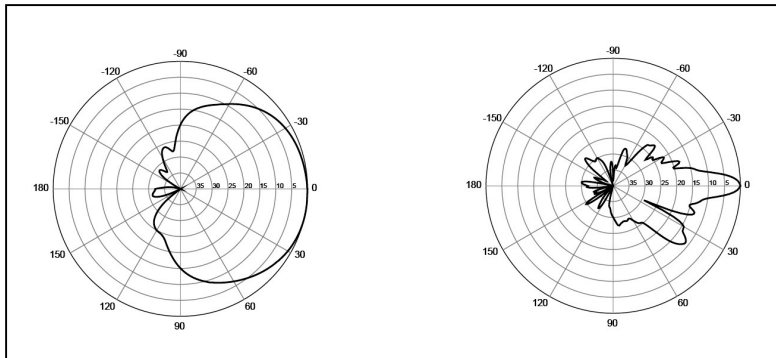
Mechanical specifications	
Connector	N-female
Connector position	Bottom
Height×width×depth (mm)	1300×280×130
Packing size (mm)	1350×300×260
Antenna weight (kg)	9.5
Installation kit weight (kg)	3
Packing weight (kg)	12.5
Wind loading area (m2)	0.58
Max. wind velocity (m/s)	60
Reflector material	Aluminum Alloy
Radome material	UV PVC
Radome color	Gray
Mechanical tilt (°)	0~15
Operating temperature (°C)	-50~65
Mounting hardware (mm)	φ50~φ115



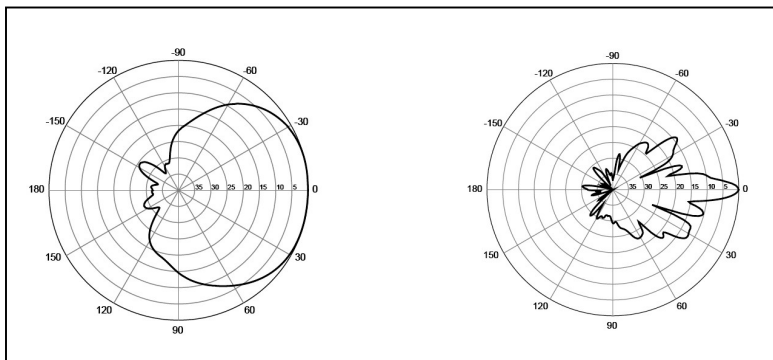
Radio Pattern



Radio Pattern 800-960MHz



Radio Pattern 1710-2170MHz



Radio Pattern 2170-2700MHz